



TILCOR CF SHINGLE Panels (Figure 12)

ROOFING SYSTEMS

[CF = Concealed Fastening]

Units of Measurement = Millimetres (mm)

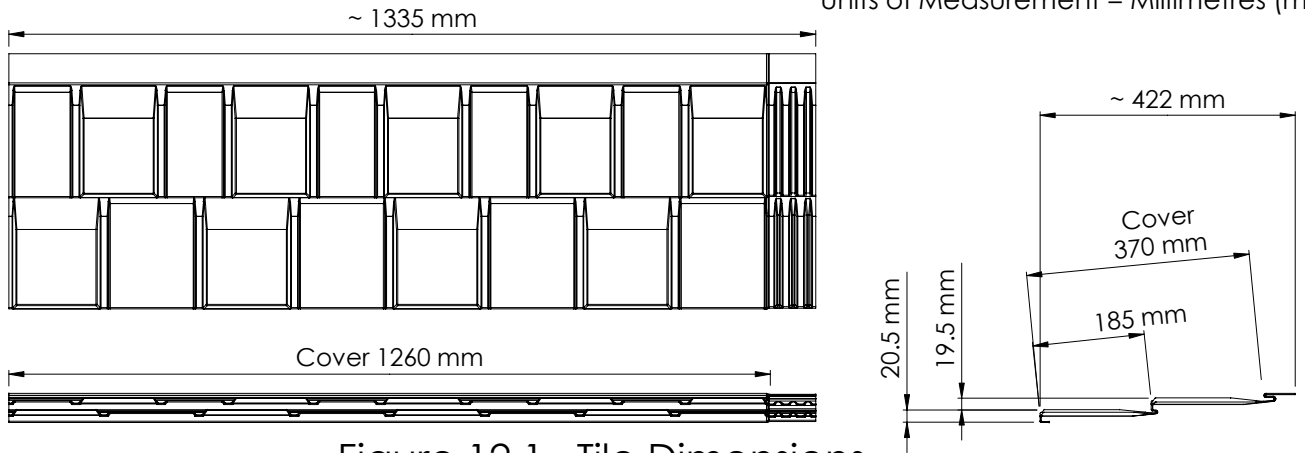


Figure 12.1 Tile Dimensions

FASTENERS. Typically 5 per Panel. The quantity and type of fastener is dependent on local requirements.

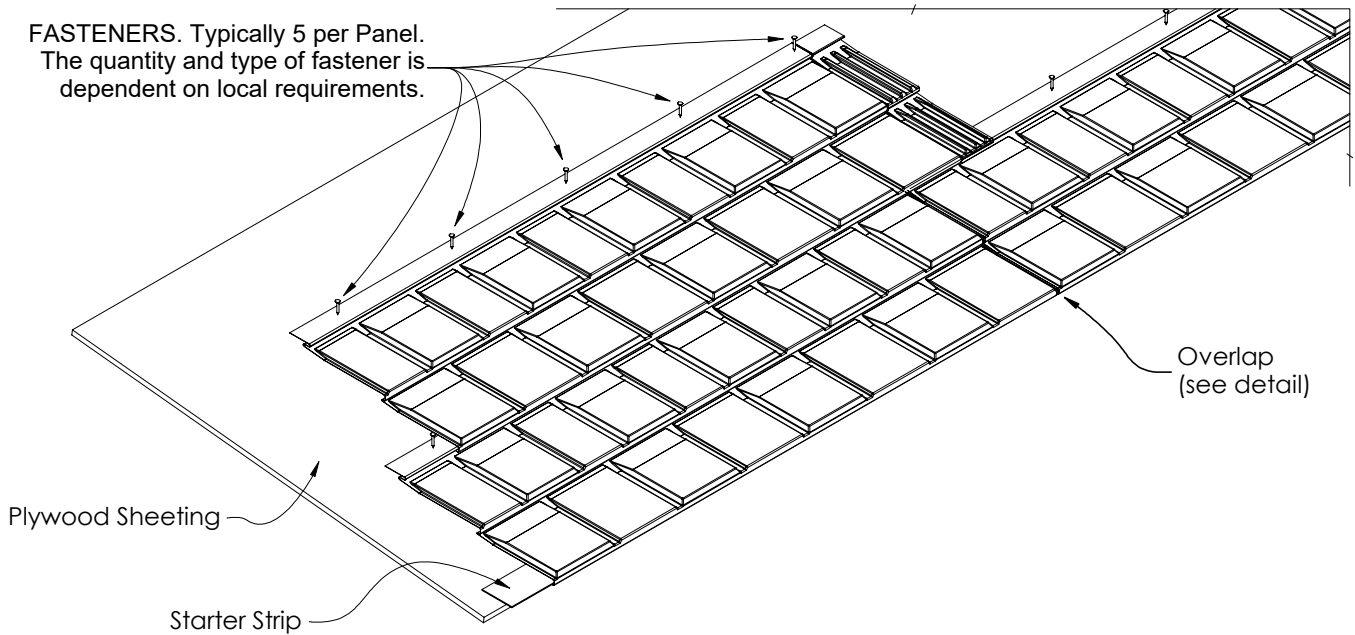


Figure 12.2 Fastening Detail

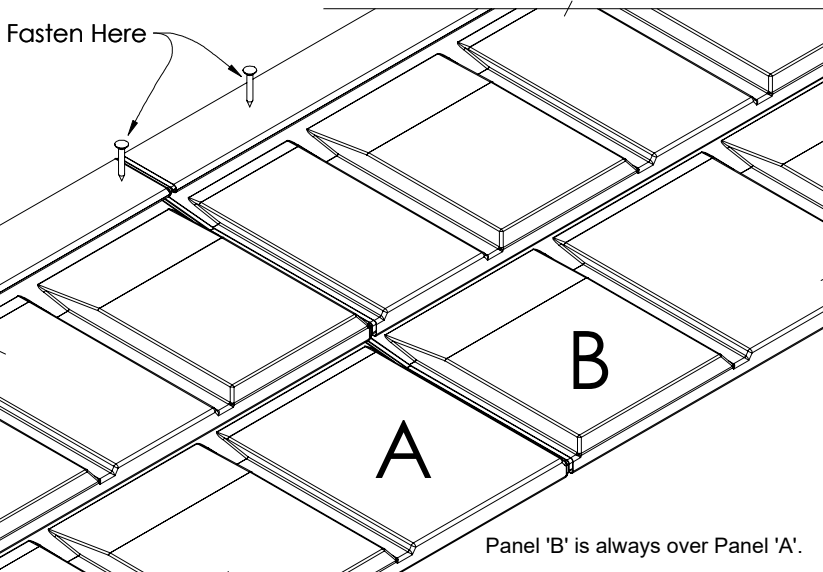


Figure 12.3 Overlap Detail

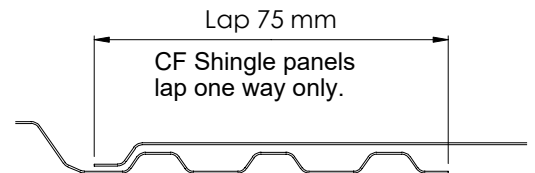


Figure 12.4 Side Lap Detail

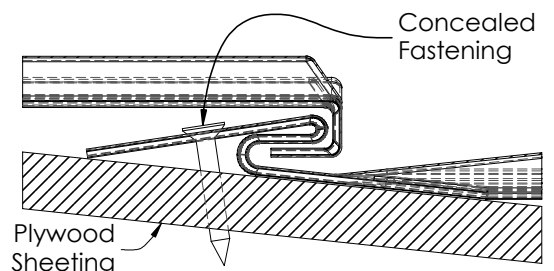


Figure 12.5 Nose Lap Detail