



## HV160 EXTRACTION VENT

The Extraction vent is designed to provide an integrated outlet for both passive and mechanically vented rooms. It is an ideal outlet for bathroom, kitchen and laundry extraction systems, but will work equally well as an outlet for any passively ducted areas where the release of moist air from the structure is desirable. It is far preferable to after-market mushroom type roof vents that require a penetration in the roof, and additional flashings to retain the roofs weather tight integrity.

The Tilcor HV160 Sanitary Vent is part of our High Performance Roofing Systems. This sanitary vent is designed to match the roof profiles and to remove the unsightly appearance and the risks associated with traditional pipe penetrations. The unique design of our roofing system means no penetration cut on the roof and no need for ancillary trades to get up on the roof after the roofer has completed the install.

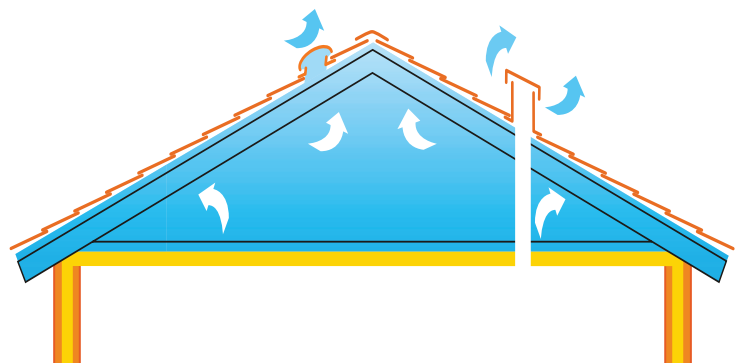
It requires no further flashing, and is installed by a qualified roofer who is trained to install the weather-tight roofing system.

### Unique Design

- Integrated with the Tilcor roof profiles
- Coated in the same colour as the Zinalume satin or stone-chip textured profile
- No more white or galvanized pipes through your beautiful new roof

### Superior Performance

- No penetration cut in the roof like traditional pipe vents
- No reliance on after-market over flashings, and for a silicone layer to last for years
- Installed by a qualified roofer, no need for ancillary trades to get up on the roof
- 160mm outlet in the roof space, with reducers to 150mm or 125mm available. Ready for common sized flexi ducts to be fitted in the roof space
- Integrated underlay flashing available to ensure the weather-tight integrity of the roofing system



# HV160 EXTRACTION VENT

## Easy Installation

Install easily into the roof, because the vent has been moulded to match in with the Tilcor tile profiles. There is no need for roof surface preparation, the need to fit special flashings, or mould flexible flashings by hand to fit the shape of the roof profile.

## Specifications

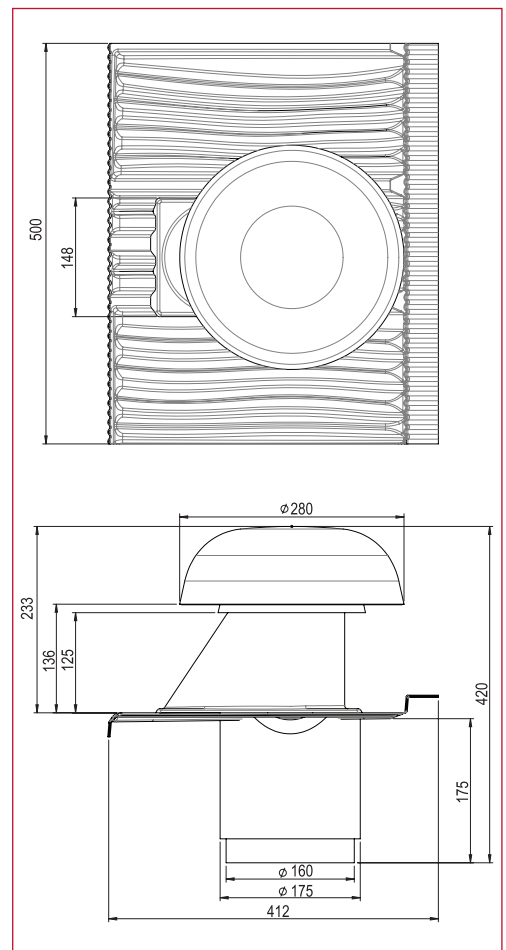
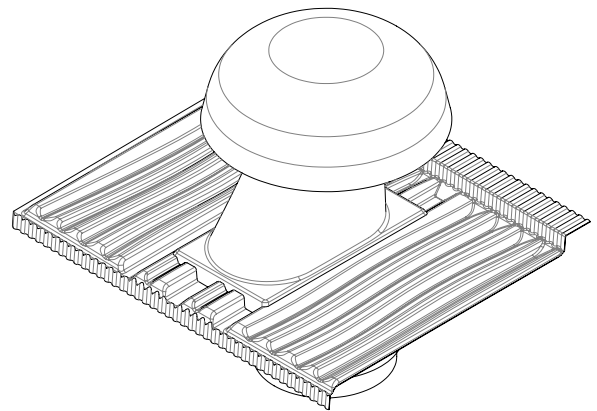
Material	High Impact Polystyrene
Pipe fixed	Ø160mm – 125mm or 150mm reducer available
Roof Pitch	15°-45°
Effective Space	20,000 mm <sup>2</sup> ventilation area
Weight	2.5kg

## Products & Accessories

Part Number	Description	Image
<b>HV160SHAKE</b>	HV160 Extraction Vent to fit Tilcor Shake or Royal roof profile	
<b>HV160CLASS</b>	HV160 sanitary Vent to fit Tilcor Classic roof profile	
<b>HV160TUDOR</b>	HV160 sanitary Vent to fit Tilcor Tudor roof profile	
<b>ADP160/150</b>	150mm adapter to fit 150mm flexi duct	
<b>ADP160/125</b>	125mm adapter to fit 125mm flexi duct	
<b>PENSLE160</b>	160mm Underlay Penetration flashing sleeve to fit around the 160mm outlet, and adhere down onto the underlay	

## Dimensions

HV160 Shake/Royal Extraction Vent



Roofmakers to the world



1C Inlet Road, Takanini 2112; PO Box 72062 Papakura 2244, Auckland, New Zealand  
**P:** +64 9 299 9498 **F:** +64 9 298 4114 **E:** info@tilcor.com [www.tilcor.com](http://www.tilcor.com)

